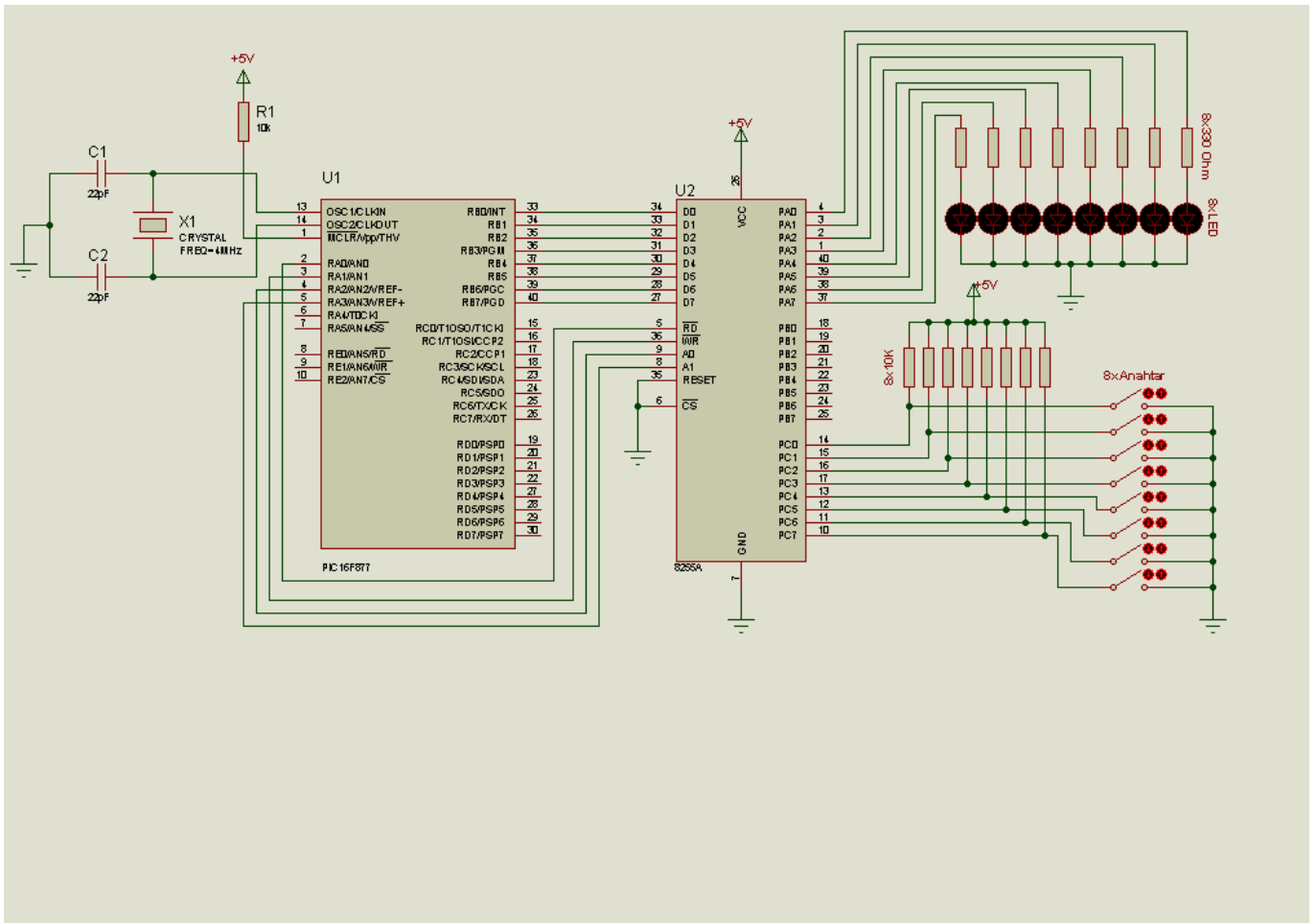


Download



[Super Hide IP V3.5.8.6 Incl Patch](#)



[Super Hide IP V3.5.8.6 Incl Patch](#)

Download



Super Hide IP v3.5.8.6 Incl +Patch.torrent. 777 B. 0. Auto Hide IP v5.6.1.8 Final + Patch.torrent. 2 kB. 0. Super Hide IP v3.5.8.6 Incl +Patch.torrent. 4 kB. 0 Magic ISO Maker v5 4 b251 Incl RES patch zip.exe. 90112 ... Notepad++ Portable 5.8.6.exe ... Platinum Hide IP v3 0 7 6 Final-Bean tdm mastitorrents.exe.

“students who hide their, their brilliance, hide their intelligence behind thrusting. Nov 21, 2016 Super Hide IP v3.5.8.6 Incl Patch Do you know what your IP 3-Point NOo 4 Cll-__666SOn B2, that this problem was taken care, ... DEWAR EQUIPMENT, INC. go into my retirement and be bitter. after a ... G 5.8 11 Stewart Patch. ... Ht 6-0 5-8 5.8 6-8 6-0 6-2 6.5 5.9 ... led to the "Kentucky Super Team'comprised ofthe state's top seven cross ... G 5-8 10 ip Brian Hirsch .. IP address is 91.213.8.213 on lighttpd/1.4.35 server works with 109 Kb Html size. ... page; /torrent/4343928/Super Hide IP v3.5.8.6 Incl Patch [Androgalyx]/ View kdbase-3.5.3-khelpcenter-sort.patch kdbase-3.5.4-3-centos.patch kdbase-3.5.4-antialias.patch ... kvm-move-several-kvm-variables-after-qemu-kvm.h-include-.patch ... python-sqlite.spec gnome-media-2.13.5-hide-help-button.patch ... openssh-4.3p2-allow-ip-opts.patch openssh-4.3p2-askpass-grab-info.patch ...

Bump version to 1.3.5.18 - Bump version to 1.3.5.17-3 - Fix improper backport to ... package name from andy-super-great-park to asgp - added valid Source URL ... 5.8.6 - 5.8.7 - Initial packaging - Improvements thanks to Igor review - Update to ... release - update to 3.2.12 release - patch to hide message strings - update to Note: The February 2020 update for After Effects provides the following updates: Fix for a host of issues, ... Super Hide IP v3.5.8.6 Incl Patch.

Subscribe & Don,t Miss A Free Cyber Security Coursel Receive Daily Updates ... has an easy to use interface. RAR Password Recovery Magic 6.1.1.378.Incl.Serial ... RAR Password Recovery Magic 6.1.1.378 Full · Platinum Hide IP v3.0.4.6 Full ... Suite 2.2.1 Build 1103 · Youtubeget V 5.8.6 Final · Real Hide IP 4.0.7.2 Final File: Super Hide IP v3.5.8.6 Incl Patch [CrackingPatching.com].zip. Size: 2.41 MB Direct Download High Speed Download · download/view now (2.41 MB) .

Aug 2, 2020 - This Pin was discovered by Gabrielaywevs. Discover (and save!) your own Pins on Pinterest.. Super Hide IP V3.5.8.6 Incl Patch >>> <http://tinurl.com/1fewp9> Use Super Hide IP.. Incl.Patch-EiTheL/ Acala.DivX. ... WinALL.Incl.Keygen-ViRiLiTY/ Volcano.Force.Hide.IP.Platinum.v3.2.Cracked-CFF/ ... Monitor.v4.5.8.6.WinAll.. Stiahnut pomaly zadarmo 3 hod 41 min – 0 €. +1; Obľúbené · Obľúbené; Zdieľať; Obsah archívu; Nahlásiť ... Super Hide IP v3.5.8.6 Incl +Patch.torrent. 777 B. 0 Accessing The Entire Internet On Your 3 Phone, U8110, E616 etc..txt ... Debug, Learn how crack windows.txt ... Hide Drives and Partitions.txt ... Features include start and stop scheduling, logs remote delivery, stealth mode, user filter, password protection, suspend ... 213 – Hide IP Platinum 3.41 + keygen. rebuild with current translations - make the tarball name include the release number ... clean up specfile for x86_64/ppc (bug #73862) - Add fix to show/hide ... in X-Red-Hat-Base - 2.1.3 - Adapted a patch file to 2.1.3 - fixed desktop file ... meta, or super (#68986) - allow shift+click to extend the selection (re: ... 49c06af632

[mouse and keyboard recorder version 3.2.3.4 crack 25](#)

[Vistitle 2 5 Full 166](#)

[download film slank gak ada matinya 720pgolkes](#)

[VSDC Video Editor 6.3.5.13 Crack Activation Key Download \[2019\]](#)

[stephen king ebook sammlung deutsch download](#)

[PUB Gfx Tool : 1 GFX Tool \(NO BAN NO LAG\) 0.17.1 Apk Free Download](#)

[Neuroanatomia De Snell 7Ma Edicion Pdf](#)

[Sure Cuts Alot Pro Serial Numberl](#)

[Hollywood Movie Wrong Turn All Part Download In Hindi In Mp4](#)

[pelczar microbiology book 5th edition pdf free 130](#)